

GATE VALVE

Bronze NP 16

Art. 006.0072

Execution: body and disc diameters 5" e 6" cast bronze - bolt and disc diameters from 1/4" to 4" hot printed from brass bar - stem, stem lock, bonnet and gland obtained from brass bar - gasket NA 1030 - asbestos free stuffing box - aluminum alloy handwheel painted with red epoxy resin - flanged ends according to UNI 2223, NP 6, NP 10, NP 16 normatives.

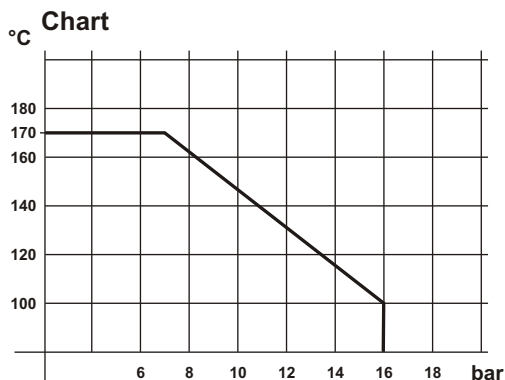
Diameters: ND 15 ÷ ND 150

Max pressure 16 bar

Max temperature 170°C

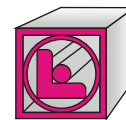
Working temperature -10°C +100°C

Employments: heating plants - water plants - sanitary - compressed air - gas distribution networks - oils - petrol - steam.

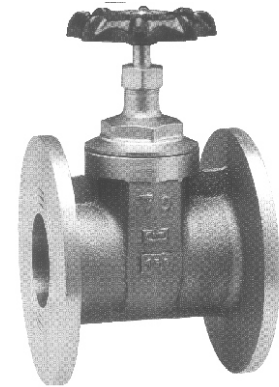


Sizes

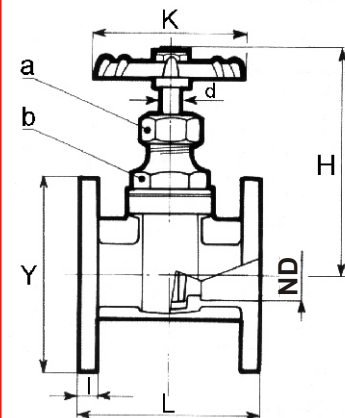
Ř	K	H	L	I	Y	a	b	d	Weight gr.
15	55	84	69	8	95	18	24	8	1150
20	60	95	83	8	105	18	30	8	1660
25	65	102	89	9.5	120	18	32	8	2440
32	75	120	98	9.5	140	21	32	10	3170
40	80	134	115	11	150	23	39	10	4170
50	90	150	126	11	165	25	47	12	5110
65	110	185	154	12	185	30	55	13	7690
80	120	205	160	13	200	30	66	14	10130
100	140	250	170	17	230	37	84	17	15060
125	175	306	190	17	260	45	114	19	22820
150	175	360	210	18	290	50	136	21	29800



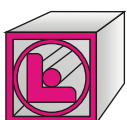
G.OGRINC
katalog strojne
instalacije



Art. 006.0072



Sec.Art. 006.0072



G.OGRINC d.o.o.

Tel.01 361 50 44, Fax.01 361 16 00, e-pošta.gogrinc@siol.net, splet.www.g-ogrinc.si

