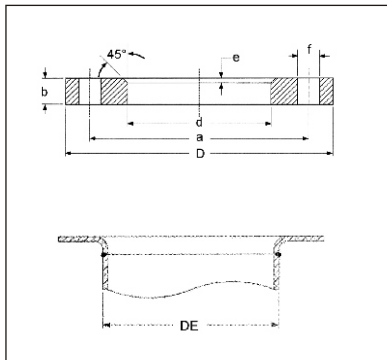


FLANGES

ALUMINIUM SLIP-ON FLANGES NP 10

Art. 104.6090



Execution: GAlSi 12 CuFe aluminium alloy - slip-on flanges for pipes with supporting relief - dimensions according to UNI 6089 and DIN 2642 NP10 - inside diameter suitable to ISO R64 pipes.

Diameters: ND 10 ÷ ND 800

I.N.: Welding stainless steel sheet frames coupling **Art. 009.0611**
(See data sheet E.1.5.3)

Dimensions and weights

ND	Pipe DE	FLANGE				DRILLING			Approx. weight Kg.
		Diameter		Thickness b	e	Holes n°	Diameter f	Center line a	
D	d								
10	17.2	90	19	12	4	4	14	60	0.180
15	21.6	95	24	12	4	4	14	65	0.190
20	26.9	105	30	12	4	4	14	75	0.220
25	33.7	115	36	12	4	4	14	85	0.270
32	42.2	140	46	16	4	4	18	100	0.530
40	48.3	150	54	16	4	4	18	110	0.590
50	60.3	165	65	16	4	4	18	125	0.700
65	76.1	185	81	16	4	4	18	145	0.870
80	88.9	200	94	16	5	8	18	160	1.050
100	114.3	220	119	18	5	8	18	180	1.160
125	139.7	250	144	18	5	8	18	210	1.450
150	168.3	285	173	18	5	8	22	240	1.700
175	193.7	315	199	20	5	8	22	270	2.200
200	219.1	340	225	20	5	8	22	295	2.500
250	273	395	279	22	5	12	22	350	3.250
300	323.9	445	329	22	5	12	22	400	3.800
350	355.6	505	362	22	5	16	22	460	5.250
400	406.4	565	413	25	6	16	25	515	7.200
500	508	670	517	28	6	20	25	620	9.600
600	610	780	620	30	6	20	30	725	12.750
700	711	895	721	32	6	24	30	840	17.100
800	813	1015	824	36	7	24	33	950	25.600

