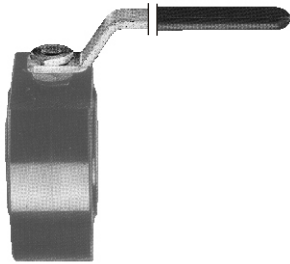


BALL VALVE WAFER BODY TYPE

Full bore steel body and stainless steel ball NP 16

Art. 037.8410



Art. 037.8410

Execution: body and ring AST A 105 steel carbon - ball and pivot AISI 304/CF8 stainless steel - PTFE ball gasket, pivot washer and pivot gasket - viton O-ring - PVC covered steel lever - lever body ND 150 and ND 200 cast iron GG 25 - full bore - flanged ends NP 16-40.

Diameters: ND 15 ÷ ND 200

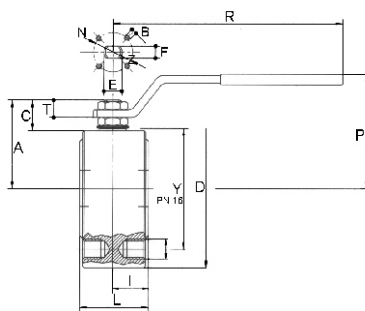
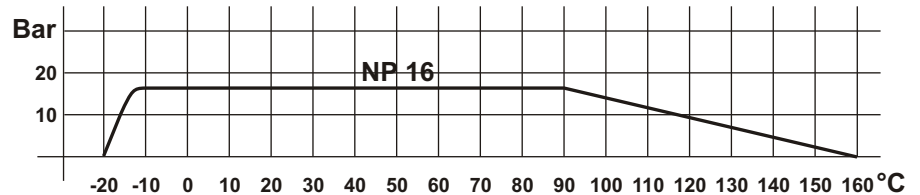
Max pressure 16 bar

Working temperature -20°C +160°C

Employments: general liquids - low pressure saturated steam.

On request: particular seal - installation of pneumatic actuator simple or double effect (see chapter "L") - electric motorization.

Chart



Sec.Art. 037.8410

Sizes

ND	D	Y	Z	L	R	P	A	E	F	KV	NP
15	90	65	4xM12	35	131.5	64.5	47	10	7	16.3	16
20	100	75	4xM12	40	131.5	69	51.5	10	7	29.5	16
25	110	85	4xM12	46	174.5	80	60	12	8	43	16
32	130	100	4xM16	54	174.5	84	64.5	12	8	89	16
40	140	110	4xM16	63.5	250.5	100	76.5	16	10	230	16
50	150	125	4xM16	82	250.5	108.5	86	16	10	265	16
65	175	145	4xM16	103	321.5	128	104.5	20	14	540	16
80	190	160	8xM16	122	321.5	137.5	114	20	14	873	16
100	220	180	8xM16	152	381.5	156.5	137	24	18	1390	16
125	250	210	8xM16	196	381.5	178.5	159	24	18	1707	16
150	300	240	8xM20	232	700	237	201.5	42	30	2024	16
200	340	295	12xM20	317	700	280	245	42	30	2720	16

